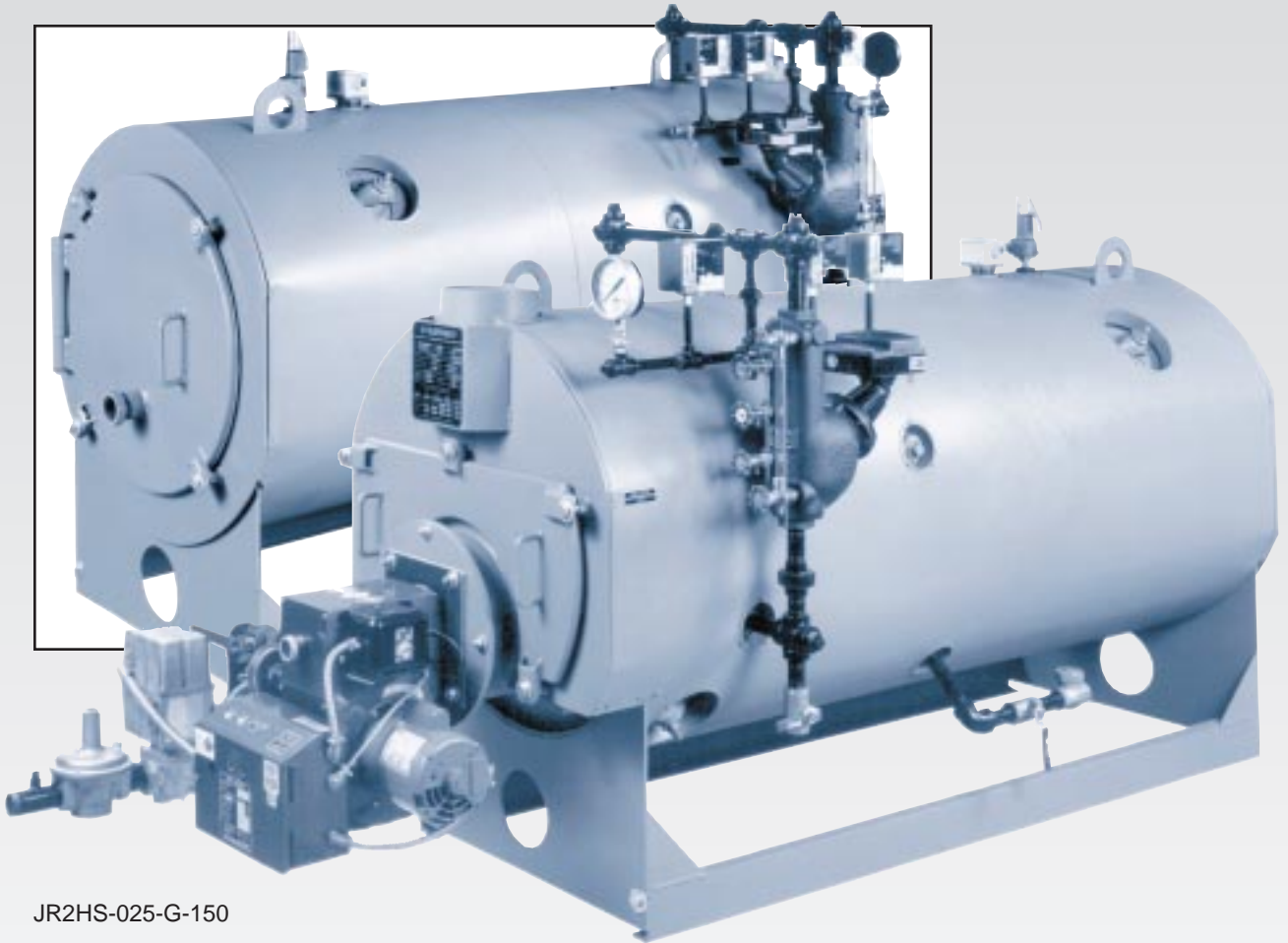


BOILERSMITH^{CO}



PROPAC



JR2HS-025-G-150

**MAXIMUM
BOILER PERFORMANCE**
■ CANADA'S 🔧 BOILER 🔧 MAKER ■

JR2 SERIES

**PACKAGED
FIRETUBE
DESIGN**



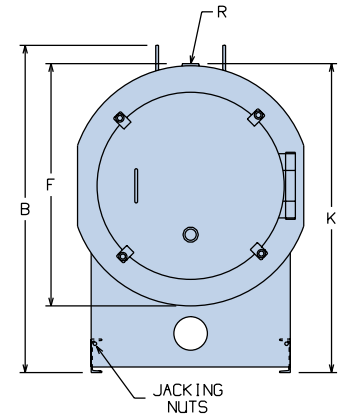
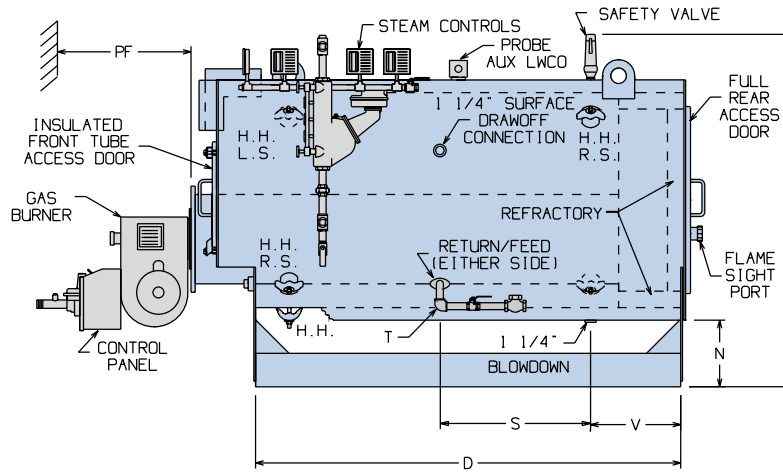
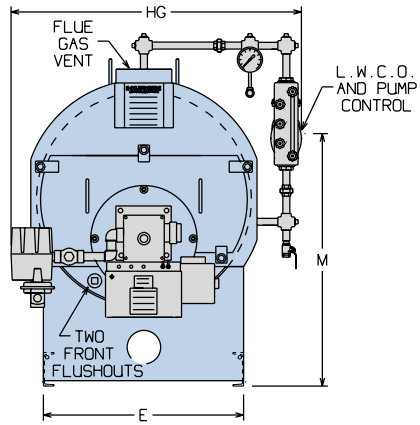
150#
STEAM

RUGGED
TWO-PASS

JR2 PROPAK SERIES

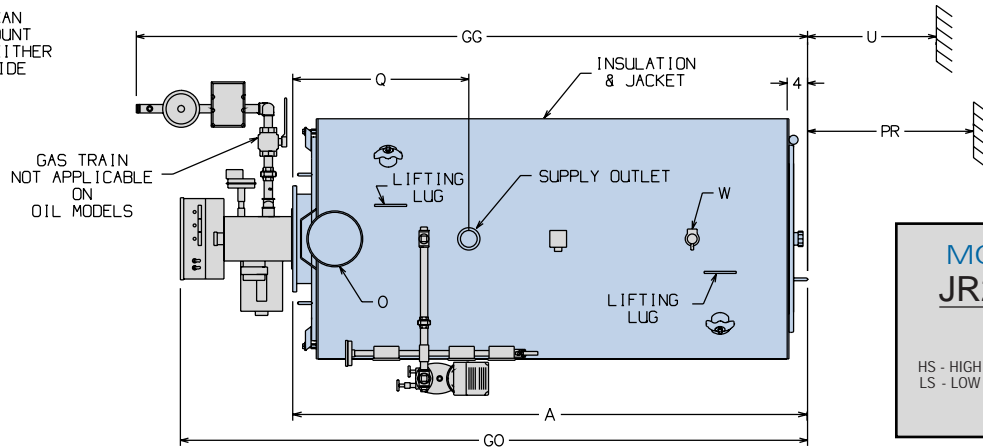
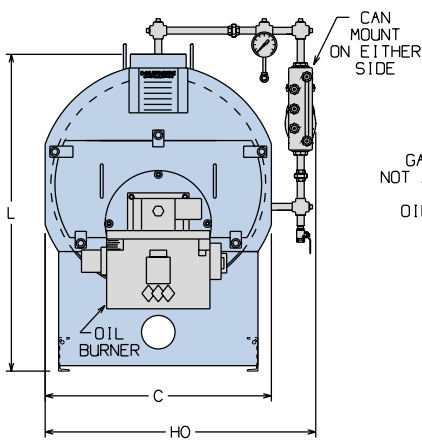
PACKAGED PROCESS STEAM BOILERS

HIGH PERFORMANCE 10 TO 70 HP



VIEWES SHOWING GAS BURNER AND STEAM TRIM

REAR VIEW



GAS FIRED
•
OIL FIRED
•
GAS/OIL FIRED

MODEL No. DESIGNATION	
JR2HS - 030 - G - 150	DESIGN PRESSURE P. S. I. G.
BOILER HORSEPOWER	O - OIL FUEL
HS - HIGH PRESSURE STEAM	G - GAS FUEL
LS - LOW PRESSURE STEAM	GO - GAS/OIL FUEL
	P - PROPANE

FRONT VIEW - OIL/STEAM

TOP (PLAN) VIEW

150# STEAM JR2 PROPAK SERIES SPECIFICATIONS

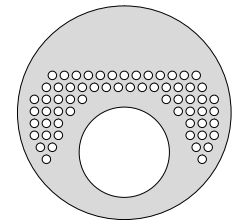
	10	15	20	25	30	35	40	45	50	55	60	70
HORSEPOWER	10	15	20	25	30	35	40	45	50	55	60	70
GROSS OUTPUT MBH	332	502	669	837	1004	1172	1339	1506	1674	1841	2008	2343
GROSS OUTPUT LBS STEAM/HR ◊	345	518	690	863	1035	1208	1380	1552	1725	1898	2070	2415
FIRING RATE INPUT GAS : MBH	400	628	838	1047	1256	1412	1600	1885	2016	2218	2419	2823
FIRING RATE NO. 2 OIL : USGPH	3.00	4.50	6.00	7.50	9.00	10.0	11.5	13.5	14.5	16.0	17.5	20.3
HEATING SURFACE SQ. FT.	61	61	85	101	118	132	150	180	210	225	250	280
WATER CAPACITY FULL : IMP. GAL.	87	87	111	136	160	180	185	220	255	273	308	343
WATER CAPACITY NWL : IMP. GAL.	68	68	87	106	124	140	147	175	203	217	245	273
SHIPPING WEIGHT LBS	2502	2502	2750	2990	3238	3514	3977	4322	4667	5156	5502	5857

ALL DIMENSIONS WITHOUT DECIMALS ARE TO NEAREST INCH

	10	15	20	25	30	35	40	45	50	55	60	70
A BARE BOILER LENGTH	68	68	80	92	104	118	97	109	121	129	141	153
B BARE BOILER HEIGHT	54	54	54	54	54	56	61	61	61	61	61	61
C BARE BOILER WIDTH	34	34	34	34	34	34	43	43	43	43	43	43
D BASE LENGTH	54	54	66	78	90	102	84	92	104	110	122	134
E BASE WIDTH	30	30	30	30	30	30	36	36	36	36	36	36
F BOILER JACKET (MAXIMUM) DIA.	36	36	36	36	36	36	43	43	43	43	43	43
GO OVERALL LENGTH OIL FIRED	89	89	101	113	125	139	130	142	154	162	174	186
GG OVERALL LENGTH GAS FIRED	92	92	104	116	128	144	135	147	159	167	179	191
HO OVERALL WIDTH OIL FIRED	42	42	42	42	42	42	50	50	50	50	50	50
HG OVERALL WIDTH GAS FIRED	48	48	48	49	49	50	54	54	54	54	54	54
J OVERALL HEIGHT	56	56	56	56	56	59	64	64	66	66	66	66
K HEIGHT TO SUPPLY	50	50	50	50	50	52	57	57	57	57	57	57
L HEIGHT TO FLUE GAS VENT	52	52	52	52	52	54	59	59	59	59	59	59
M HEIGHT TO NORMAL WATER LINE	41	41	41	41	41	43	47	47	47	47	47	47
N DISTANCE UNDER JACKET	14	14	14	14	14	16	14	14	14	14	14	14
O FLUE GAS OUTLET DIA.	8	8	8	8	8	8	10	10	10	12	12	12
PF TUBE REMOVAL FRONT	36	36	48	60	72	80	54	66	78	82	94	106
PR TUBE REMOVAL REAR	32	32	44	56	68	76	46	68	70	76	88	100
Q SUPPLY LOCATION	30	30	32	32	40	46	42	46	50	54	58	62
R SUPPLY SIZE	2	2	2	2	2	2	3	3	3	3	3	4
S FEED/RETURN LOCATION	16	16	22	28	36	44	27	33	39	42	48	54
T FEED/RETURN SIZE	1	1	1	1	1	1	1.25	1.25	1.25	2	2	2
U DISTANCE TO SWING REAR DOOR ◊	27	27	27	27	27	27	33	33	33	33	33	33
V BLOWOFF/DRAIN LOCATION	16	16	16	16	16	16	21	21	21	21	21	21
W SAFETY VALVE OUTLET SIZE	.75	.75	.75	1	1	1	1	1	1.25	1.25	1.25	1.25

ANOTHER JR2 PROPAK PLUS

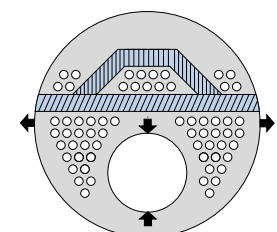
SIMPLE CONSTRUCTION YET SUPERB PERFORMANCE



YOUR BONUS!

- LOW EXPENSE
- LONG LIFE
- EXCELLENT EFFICIENCY

OTHER DESIGNS HAVE ROBBER BAFFLES



STEALING

- FURNACE EFFICIENCY
- YOUR SERVICE BUDGET
- BOILER ROOM SPACE
- STEAM QUALITY

ALSO AVAILABLE IN 5 SQ. FT./H.P. MODELS
AVAILABLE WITH DESIGN PRESSURES TO 250 PSIG
LOW PRESSURE STEAM MODELS AVAILABLE
H.H. = HANDHOLE, R.S. = RIGHT SIDE, L.S. = LEFT SIDE
WE ASSUME NO RESPONSIBILITY FOR ERRORS IN DATA
CERTIFIED DIMENSIONS, SPECIFICATIONS AND
DRAWINGS ARE AVAILABLE ON REQUEST
BUILT TO ASME B&PV CODE SECTION 1 & CSA CODE B51

FIRING SEQUENCE IS ON-OFF UP TO & INCLUDING 25 H.P.
FIRING SEQUENCE IS LO-HI-LO-OFF ABOVE 25 H.P.
FULLY MODULATED FIRING IS AVAILABLE
BOILER TUBES MAY BE DRAWN FROM EITHER END
4" CONNECTIONS ARE 300# FLANGES. ALL OTHERS ARE THREADED
◊ FROM & AT 212°F
◊ DOOR CAN BE LIFTED OFF IN TIGHT QUARTERS
LISTED BY UNDERWRITERS LABORATORIES OF CANADA
WITH SELECTED BURNERS

JR2 PROPAK SERIES

THE JR2 PROPAK EDGE

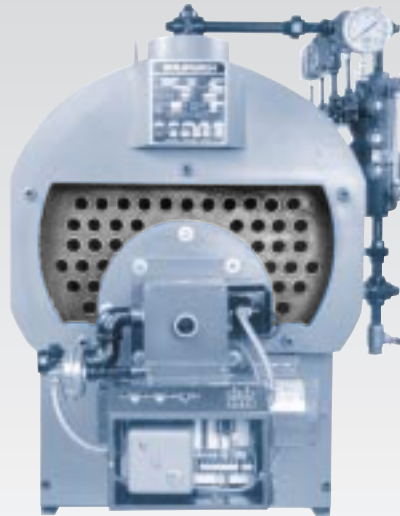
* **REFINED DESIGN** *
* **LOADED WITH FEATURES** *

**COMPARE OUR
- OVERALL EXCELLENCE -**

- Two-pass design for maximum durability
- High output firetube configuration
- Heavy-duty, first-class materials
- Renowned for long life, up to 30 years
- Equipped with premium, packaged FORCED DRAFT burners; factory test-fired
- Lower parts and service costs
- Thoughtfully engineered; enhanced by our extensive design experience
- Excellent overall plant efficiency
- "Off the shelf" components
- Skillfully crafted to high standards
- High quality — exceptional value



- Ample steam space/release surface



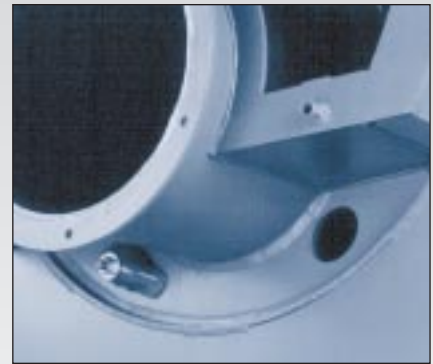
- Doors open without removal of burner components or fuel and power lines



- Full-sized hinged rear door for quick easy access to tubes and refractory
- Heavy door gaskets are intended for repeated use and are easily replaced

OPTIONS AND ALTERNATIVES

- We specialize in customizing your boiler. The Propak can be equipped to suit a wide variety of installations and specifications. We will help direct you to the most cost-effective models and features.



- Outstanding inspection accessibility

STANDARD STEAM TRIM

- Safety valve(s)
- Water glass set
- Pressure gauge
- Gauge cock
- Pressuretrol line drain valve
- Trycocks
- Pressuretrol - high limit
- Pressuretrol - operating
- Pressuretrol - high fire control (30 HP & over)
- McDonnell Miller 157 low water cutoff and pump control c/w water column blowdown valve
- Warrick 2 probe auxiliary low water cutoff c/w probe relay
- Feed check and shutoff valves

NARROW WIDTH FEATURE

- By avoiding troublesome, room-robbing refractory baffles, and using unique, highly effective 1-1/2 inch tube arrangements along with innovative insulation details, models as narrow as 34 inches are created. (Water column mounts on either side and dismounts for passage through narrow doorways.) The result is superb performance, ease of maintenance and narrow width.

Represented by:

BOILERSMITH^{CO}
■ CANADA'S BOILER MAKER ■

P.O. Box 70, 156 Main Street South
Seaford, Ontario N0K 1W0
Tel: (519) 527-0600 Fax: (519) 527-0150

Bulletin No. 101-98

Printed in Canada on Recycled Paper

