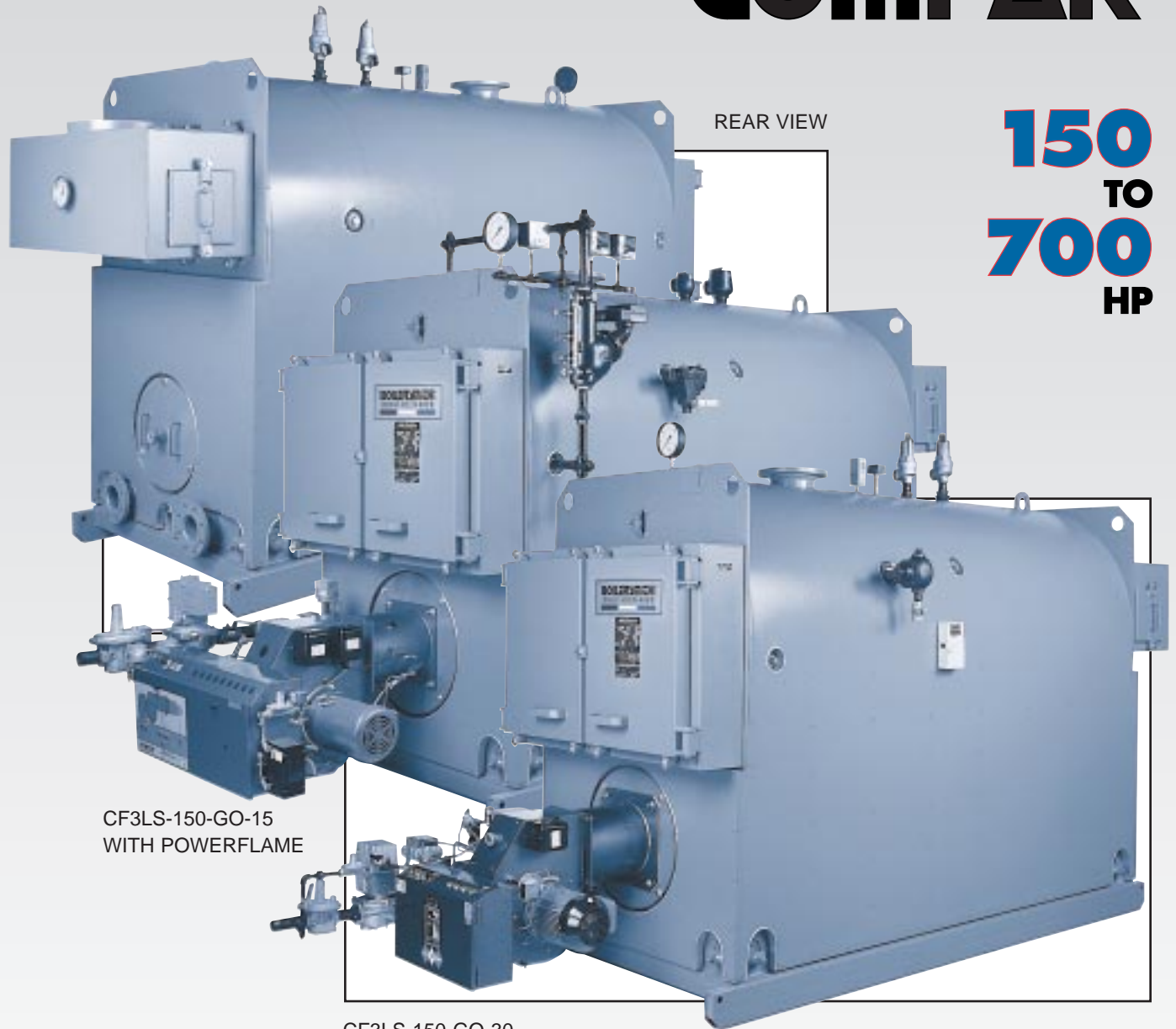


COMPAK

150
TO
700
HP



CF3LS-150-GO-15
WITH POWERFLAME

CF3LS-150-GO-30
WITH FUELMASTER

**PREMIUM
FIREBOX BOILERS BY**
■ CANADA'S 🔥 BOILER 🔥 MAKER ■

CFB SERIES
PACKAGED
FIRETUBE
DESIGN

15#S
30#W

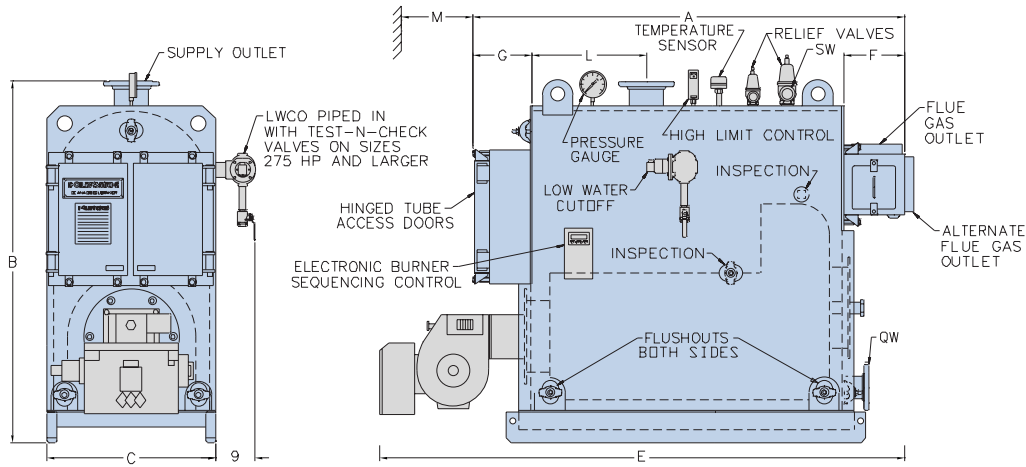
CLASSIC
DESIGN

CF3 COMPAK SERIES

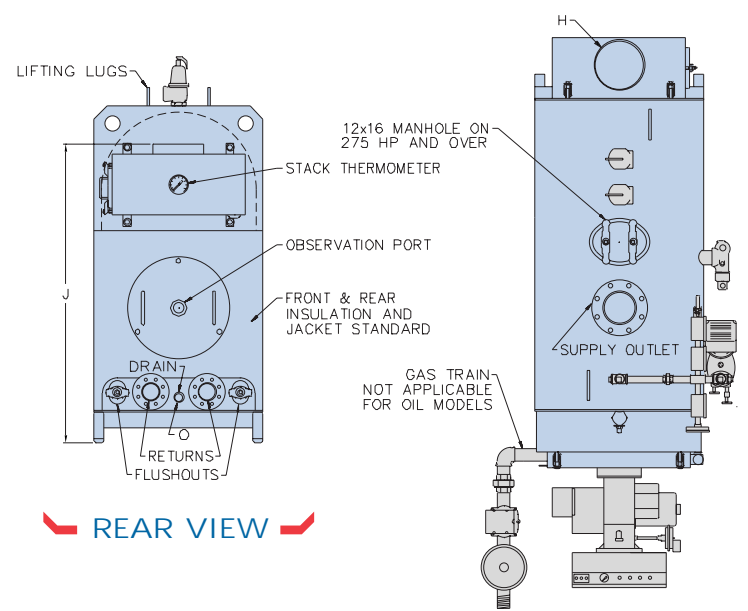
REFINED
FEATURES

150 TO
700 HP

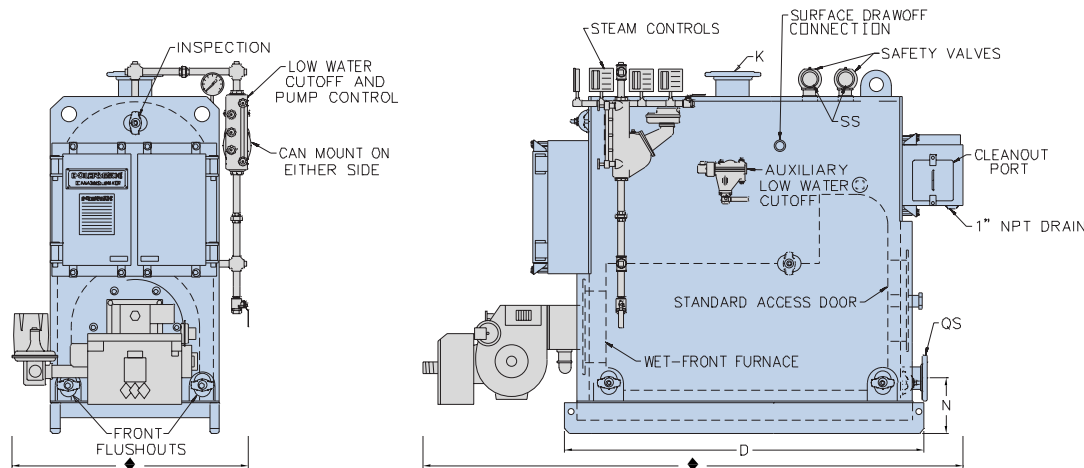
PACKAGED STEEL FIREBOX BOILERS



VIEW SHOWING OIL BURNER AND HOT WATER TRIM



REAR VIEW



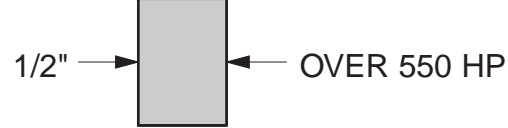
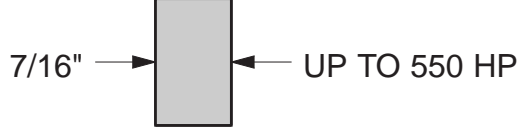
VIEW SHOWING GAS BURNER AND STEAM TRIM

- GAS FIRED
-
- OIL FIRED
-
- GAS/OIL FIRED

TOP (PLAN) VIEW
(GAS BURNER/
STEAM TRIM)

MODEL No. DESIGNATION			
CF3LS	300	GO	15
LS-LOW PRESSURE STEAM TRIM LW-LOW PRESSURE WATER TRIM	HORSEPOWER	O-OIL FIRED G-GAS FIRED P-PROPANE FIRED GO-GAS/OIL FIRED	DESIGN PRESSURE 15 PSIG STEAM 30 PSIG WATER

COMPAK
STEEL
PLATES



COMPARE
OTHER
BOILERS

15# STEAM CF3 COMPAK SERIES SPECIFICATIONS 30# WATER

HORSEPOWER	150	175	200	225	250	275	300	325	350	400	450	500	550	600	650	700
GROSS OUTPUT: MBH	5021	5858	6694	7531	8368	9205	10042	10878	11715	13389	15062	16736	18410	20083	21757	23430
FIRING RATE INPUT (GAS): MBH	6049	7058	8065	9073	10082	11090	12099	13106	14115	16131	18147	20164	22181	24196	26213	28229
FIRING RATE INPUT (OIL): USGPH	43.2	50.4	57.6	64.8	72.0	79.2	86.4	93.6	100.8	115.2	129.6	144.0	158.4	172.8	187.2	201.6
HEATING SURFACE: SQ.FT.	750	875	992	1142	1250	1375	1500	1569	1700	2000	2275	2500	2750	3000	3250	3500
FURNACE VOLUME: CU.FT.	92	107	132	150	163	199	215	223	225	260	327	355	386	495	531	568
WATER CAPACITY (FULL): IMP. GAL	755	880	885	1006	1097	1369	1485	1545	1571	1826	2200	2403	2630	3141	3390	3640
WATER CAPACITY (NWL): IMP. GAL	559	652	688	782	852	1000	1086	1130	1173	1364	1704	1863	2039	2517	2717	2917
SHIPPING WEIGHT: LBS.	12900	14400	15700	17200	18400	21000	22200	22900	26200	29200	32400	35500	38000	44000	46600	48500

ALL DIMENSIONS WITHOUT FRACTIONS ARE TO NEAREST INCH

OTHER INTERMEDIATE AND CUSTOM MODELS AVAILABLE

GENERAL	150	175	200	225	250	275	300	325	350	400	450	500	550	600	650	700
A BARE BOILER HEIGHT	147	165	155	171	183	169	180	186	168	190	194	207	222	219	232	247
B BARE BOILER HEIGHT	92	92	103	103	103	120	120	120	129	129	139	139	139	148	148	148
C BARE BOILER WIDTH	53 1/2	53 1/2	59 1/4	59 1/4	59 1/4	68 1/4	68 1/4	68 1/4	75	75	82	82	82	98 1/4	98 1/4	98 1/4
D BASE LENGTH	127	146	129	145	157	143	154	160	140	160	162	175	190	180	193	206
E LENGTH OVER BURNER PANEL	177	195	184	200	220	214	225	230	216	236	236	231	246	239	252	267
F REAR FLUE GAS BOX DEPTH	19	19	23	23	23	23	23	23	25	27	27	27	27	31	31	31
G FRONT FLUE GAS BOX DEPTH	12	12	15	15	15	15	15	15	15	15	17	17	17	20	20	22
H FLUE GAS OUTLET DIAMETER	16	16	18	18	20	20	20	20	22	24	24	24	24	28	28	28
J FLUE GAS OUTLET LOCATION	78	78	91	91	91	102	102	102	109	110	121	121	121	131	131	131
K SUPPLY SIZE (150# FLANGE)	8	8	8	8	8	8	8	8	10	10	10	10	10	12	12	12
L SUPPLY LOCATION	36	36	40	40	40	40	40	40	36	36	40	40	40	46	48	48
M TUBE REMOVAL	104	122	103	118	129	117	128	134	113	133	133	147	162	149	162	173
N RETURN LOCATION	11	11	11	11	11	13	13	13	14	14	14	14	14	14	14	14
O DRAIN SIZE	2	2	2	2	2	2	2	2	2	2	2	2	2	2	2	2
WATER																
QW RETURN SIZE (150# FLANGE)	4 & 4	4 & 4	4 & 4	6 & 6	6 & 6	8 & 8	8 & 8	8 & 8	10 & 10	10 & 10	10 & 10	10 & 10	10 & 10	10 & 10	10 & 10	10 & 10
RW RELIEF VALVE OUTLET SIZE	2, 2	1.5, 2.5	2, 2.5	2.5, 2.5	2.5, 2.5	2.5, 2.5	1, (2) 2.5	1.25, (2) 2.5	1.5, (2) 2.5	(3) 2.5	(2), (2) 2.5	2, (3) 2.5	(4) 2.5	1.25, (4) 2.5	2, (4) 2.5	(5) 2.5

NOTE: OTHER HOT WATER MODELS AVAILABLE WITH REDUCED HEIGHT OR HIGHER PRESSURES - DATA SHOWN IS FOR STANDARD 15#S/30#W MODELS

STEAM	150	175	200	225	250	275	300	325	350	400	450	500	550	600	650	700
QW RETURN SIZE	2	2	2.5	2.5	2.5	3	3	3	3	3	4	4	4	4	4	4
RW DRAIN SIZE	2.5, 2.5	2.5, 2.5	2.5, 2.5	2.5, 3	3, 3	3, 3	(3) 2.5	1.5, (2) 3	2.5, (2) 3	(3) 3	1.25, (3) 3	2.5, (3) 3	(4) 3	1.25, (4) 3	2.5, (4) 3	(5) 3

♦ OVERALL LENGTH AND WIDTH OF GAS FIRED MODELS DEPENDANT ON GAS TRAIN CONFIGURATION AND COMPONENTS, CONSULT FACTORY
ALL CONNECTIONS THREADED UNLESS OTHERWISE SPECIFIED
STANDARD SHELL INSULATION IS 2" THICK MINERAL FIBRE
BUILT IN ACCORDANCE TO ASME B&PV CODE SECTION IV & C.S.A. B51

LOW-HIGH-LOW-OFF FIRING STANDARD UP TO AND INCLUDING 175HP,
FULLY MODULATED FIRING STANDARD ON SIZES OVER 175 HP (AVAILABLE ON ALL SIZES)
LISTED BY UNDERWRITERS' LABORATORIES OF CANADA WITH SELECTED BURNERS
WE ASSUME NO RESPONSIBILITY FOR ERRORS IN DATA
CERTIFIED DIMENSIONS, SPECIFICATIONS AND DRAWINGS ARE AVAILABLE ON REQUEST

BOILERSMITH

CFB COMPAK SERIES

COMPAK GENERAL INFORMATION

- * NEW MODELS *
- * REFINED DESIGNS *
- * OVERALL EXCELLENCE *

COMPARE THESE - OUTSTANDING HIGHLIGHTS -

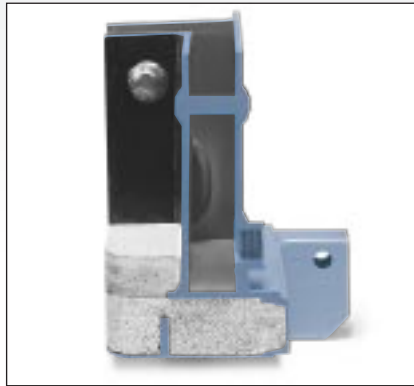
- Heavy-duty STEEL construction
- Rugged, reliable firetube configuration
- Compact dimensions
- Skillfully crafted, durable, proven 3-pass FIREBOX arrangement
- Carefully selected first-class materials
- Factory test-fired
- Lower parts costs
- Thoughtfully engineered to last
- Superior overall efficiency
- Improved performance, enhanced by our extensive design experience
- Equipped with premium, packaged, FORCED DRAFT burners
- "Off the shelf" components
- High quality – exceptional value
- Upgraded features
- Ample steam space and steam release surface
- Offset handhole studs ease installation and removal
- New, thicker 2-layer floor



- Generous furnace volume
- Large primary heating surface



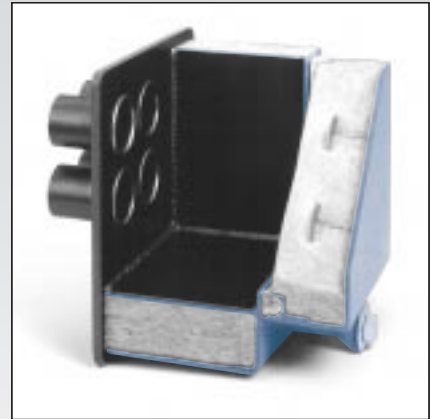
- Outstanding inspection accessibility
- Minimal service costs
- New, box-steel skid with jacking holes



- Wetback and wetfront for long life and maximum efficiency
- Minimal refractory maintenance
- REAL boiler construction

STANDARD HOT WATER TRIM

- Relief valve(s)
- Water temperature indicator and water pressure indicator
- McDonnell Miller 764 low water cutoff c/w blowdown valve (MM 63 used on sizes over 250 HP)
- Operating temperature control
- High limit temperature control
- High fire temperature control (fully modulating on sizes over 200 HP)



- Built for quick and easy maintenance
- Thoughtful details

STANDARD STEAM TRIM

- Safety valve(s)
- Water glass set
- Pressure gauge
- Gauge cock
- Pressuretrol line drain
- Trycocks
- Pressuretrol – high limit safety
- Pressuretrol – operating
- Pressuretrol – high fire control (fully modulating on sizes over 200 HP)
- McDonnell Miller 157 low water cutoff and pump control c/w water column blowdown valve
- McDonnell Miller 767 auxiliary low water cutoff c/w blowdown valve

OPTIONS AND ALTERNATIVES

- We specialize in customizing your boiler. The Compak can be equipped to suit a wide variety of installations and specifications. We will help direct you to the most cost-effective models and features.
- Lo No_x and CO₂ generation models are available.

Represented by:

BOILERSMITH
CANADA'S BOILER MAKER

P.O. Box 70, 156 Main Street South, Seaford, Ontario N0K 1W0
Tel: (519) 527-0600 Fax: (519) 527-0150
E-mail: boilers@boilersmith.com www.boilersmith.com

Bulletin No. CAD 2CF3-20-05M-99

Printed in Canada on Recycled Paper

